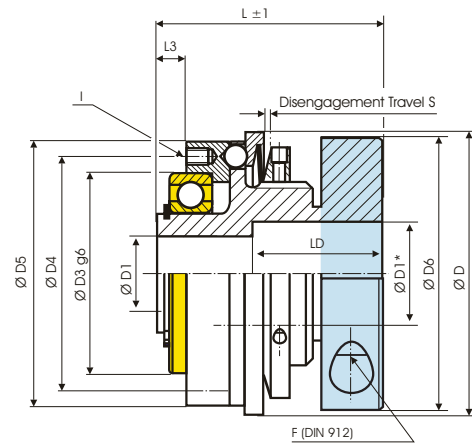


Safety Coupling

with Collet Clamp

optional
nickel-
plated!

optional
stainless
steel



Order Code: KBK/L - K - 60 - 20H7 - 20Nm - C or D - 2

Type - Size

Bore D1(H7)

Disengagement
Torque

Overload
Torque Range

Single Position = C

D = Multi Position Engagement

KBK/L-x	Dimensions (mm)											Technical Ratings				
	Ø D	Ø D1	Ø D3	Ø D4	Ø D5	Ø D6	L	L3	S	I	F	Overload Torque adjustable		Maximum Speed rpm. (1/min)	Mass (kg)	Moment of Inertia J (kg cm ²)
	Outer Ø	Bore Size (H7) min ~ max								6 x	Screw (DIN 912) T _A (Nm)	1 TKN (Nm)	2 TKN (Nm)			
-2	29	3-8	19	21	25	25	28	3	0.7	M2	M3 2	0.2-1.5	0.5-2	13200	0.06	0.05
-4.5	36	6-13	26	28	32	32.5	30	4	0.7	M2	M4 3.5	1-3	3-6	12300	0.11	0.20
-7	49	6-16	37	42	47	40.5	36	5	0.7	M3	M4 4.5	1-4	3-7	12000	0.18	0.4
-10	49	6-16	37	42	47	40.5	36	5	0.7	M3	M4 5.1	3-7	5-10	12000	0.18	0.4
-30	64	10-20	47	53	60	56	52.5	6	1.2	M4	M6 15	5-15	10-30	9400	0.59	2.4
-60	79	12-28	62	69	75	66	73	8	1.2	M5	M8 36	13-35	20-65	7800	1.05	6.4
-80	94	14-35	68	80	90	82	67	10	2	M6	M10 72	15-40	30-80	6400	2.4	21
-150	94	14-35	68	80	90	82	67	10	2	M6	M10 84	50-130	65-150	5500	2.4	21
-200	109	22-41	80	90	105	90	79	10	2	M6	M12 125	30-90	80-200	5500	2.9	35
-300	119	30-50	90	102	115	110	84	10	2	M8	M12 145	60-200	150-300	5000	4.4	66
-500	129	35-56	100	112	125	122	95	10	2	M8	M12 145	80-250	200-500	4500	6.4	113

⊗ Bore > Ø D1 and ≤ D1* only possible over LD

⊗ Keyway acc. DIN 6885 optional

⊗ Temperature Range: -30°C ~ 120°C

Size	2	4.5	7	10	30	60	80	150	200	300	500
D1*	11	X	20	20	26	31	38	38	X	57	62
LD	15	X	20	20	28	38	34	34	X	42	56