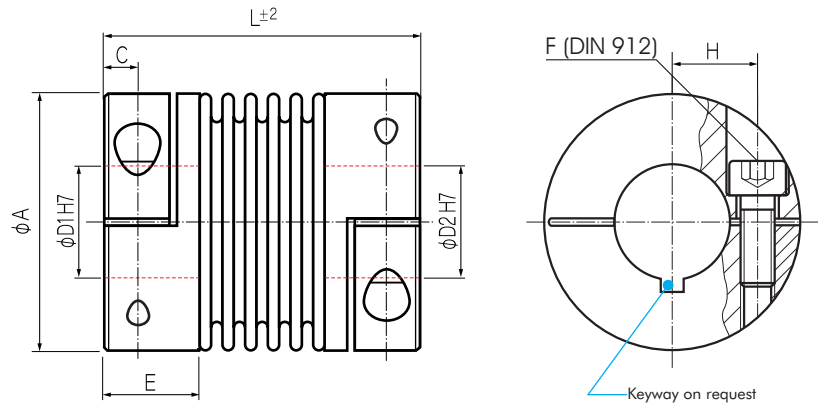


### Bellows Couplings



**Order Code: KB 4 / 60 - 89 - 12 - 32 ( - S )**

Type / Size
Length
Ø D1 (H7)
Ø D2 (H7)
Options

	Torque T <sub>KN</sub> (Nm)	Dimensions (mm)							Technical Ratings								
		L Length (±2)	Ø A Outer Ø	D1/D2 Bore Sizes (H7)	H	C	E	F Screw (DIN 912) T <sub>A</sub> (Nm)	Mass (kg)	Moment of Inertia J (g m <sup>2</sup> )	Spring Stiffness			Misalignment			max Speed rpm
											torsional C <sub>T</sub> 10 <sup>3</sup> (Nm/rad)	radial C <sub>R</sub> (N/mm)	axial C <sub>A</sub> (N/mm)	radial ΔK <sub>r</sub> (mm)	axial ΔK <sub>a</sub> (mm)	angular ΔK <sub>w</sub> (°)	
KB4/18	18	63	45	10-25.4	17	5.5	19.5	M5	0.1	0.04	20	205	50	0.2	0.5	1.5	12800
		71						8	0.15	0.05	15	82	36	0.25	0.5	2	12800
KB4/30	30	65	56	10-30	20	7.5	24.5	M6	0.3	0.15	38	720	50	0.15	0.6	1.5	10300
		73						15	0.32	0.16	28	225	28	0.25	1	2	10300
KB4/60	60	79	66	12-35	23	10	29	M8	0.5	0.33	75	1150	90	0.15	0.6	1.5	8700
		89						40	0.6	0.36	50	340	50	0.25	1	2	8700
KB4/80	80	91	82	14-44	28	11	33.5	M10	2.3	2.3	128	1200	80	0.2	0.5	1.5	6900
		102						72	2.4	2.4	75	400	50	0.25	0.8	2	6900
KB4/150	150	91	82	19-44	28	11	33.5	M10	2.3	2.5	155	2020	145	0.2	0.5	1.5	6900
		102						84	2.4	2.6	105	595	85	0.25	0.5	2	6900
KB4/200	200	101	90	22-48	31	13	38	M12	2.6	3.3	175	2500	145	0.2	0.5	1.5	6400
		113						125	2.7	3.5	120	460	82	0.25	0.8	2	6400
KB4/300	300	105	110	30-60	40	13	38	M12	4.3	7.6	502	6300	280	0.2	0.5	1.5	6000
		116						145	4.4	7.8	285	1400	145	0.25	0.8	2	6000
KB4/500	500	112	122	35-70	42	15	42	M12	5.5	13.5	690	7790	100	0.2	0.5	1.5	5000
		123						145	5.6	13.7	320	970	85	0.25	1	2	5000
KB4/800	800	168	157	40-80	55	22.5	55	2M20	9	35	1270	700	275	0.2	0.8	1.8	5000
								400									
KB4/1400	1400	168	157	50-80	55	22.5	55	2M20	10	36	1270	700	275	0.2	0.8	1.8	5000
								470									

☉ Bellows: Stainless Steel

☉ Material-Hubs:

Size	Standard	Options
18 - 60	Aluminium	Stainless Steel
80 - 500	Steel	Aluminium, Stainless Steel
800 - 1400	Steel	Stainless Steel

☉ Temperature Range: -30°C ~ 120°C  
 Size 800/1400: -30°C ~ 250°C